

shown in Matte Black
with 52" Barn Wood blades



Super Janet

Designed in 2017



The Super Janet's remarkable design and solid construction in cast aluminum and heavy stamped steel make it the heroine in any commercial or residential space. Moving air with barely a whisper, its efficient DC motor turns solid wood blades in walnut, matte black, matte white, or barn wood tones. An eco-conscious LED light kit with light cover completes the package. Sophisticated, efficient and green, Super Janet carries a limited lifetime warranty.

Product Features



DC Motor



Damp Location



Silent



LED Lamp



Dimmable Lamp



Remote Control



Wall Control



30° Slant Ceiling Canopy



60° Cathedral Ceiling Canopy



Unipack Shipping*



shown in Gloss White with 42" Matte White blades

shown in Brushed Nickel with 52" Walnut blades

Blade Options



shown in Matte Black with 52" Matte Black blades



shown in Textured Bronze with 60" Barn Wood blades



shown in Matte Black with 60" Barn Wood blades

SUPER JANET

FINISH AND BLADE OPTIONS

SKU#	SJ-XX-XXX-XX (Model+Finish+Blade+Diameter)	
Standard Finishes	Brushed Nickel	BN
	Gloss White	WH
	Matte Black	BK
	Textured Bronze	TB
Blade Finishes	Barn Wood Tone	BW
	Matte Black	BK
	Matte White	MWH
	Walnut Tone	WN
Fan Diameter	42 inches / 107 cm	42
	52 inches / 132 cm	52
	60 inches / 152 cm	60

TECHNICAL SPECS

Fan Diameter	inches: 42, 52 or 60 centimeters: 107, 132 or 152
Blade Material	CNC Cut Solid Wood
Overall Drop	12 inches / 30 cm + downrod length
Fan Weight	17 lbs
Downrods Lengths	inches: 5, 10, 20, 30, 48, 72 <i>Field cuttable. Non-threaded</i> centimeters: 13, 25, 51, 76, 122, 183
Downrod Diameter	1 inch
Voltage	110 (Contact us for 220 conversion)
Motor Type	DC
Environment	Damp locations for all finishes. Neither coastal, saltwater nor chlorine compatible.
Ambience	Silent
Safety Certification	ETL / CETL
Warranty	Limited Lifetime

NEW JAN 21, 2020 DOE MOTOR EFFICIENCY DATA

Fan Diameter	42 inch / 107 cm*	52 inch / 132 cm*	60 inch / 152 cm
RPM (Low / High)	50 / 242	50 / 184	50 / 150
CFM (Low / High)	915 / 4530	1571 / 5962	2293 / 6495
Watts (High)	23.62	32.99	33.32
CFM/Watt (High)	173	180	205
Blade Pitch	15°	15°	15°

LIGHT KIT PHOTOMETRICS

Lamping (Replaceable)	Integrated LED
Remote Dimmable	Yes
Delivered Temperature in K	2776
Delivered Lumens	419
CRI	94
Watts	18
Hours	50,000

Light kit longevity if used 6 Hours/Day: 22.8 Years

STANDARD EQUIPMENT

One downrod of 10 inches / 25 cm

Vaulted ceiling canopy for up to 30°

Black 6-speed RF remote control with reverse



White wireless Decora-style, 6-speed, wall control



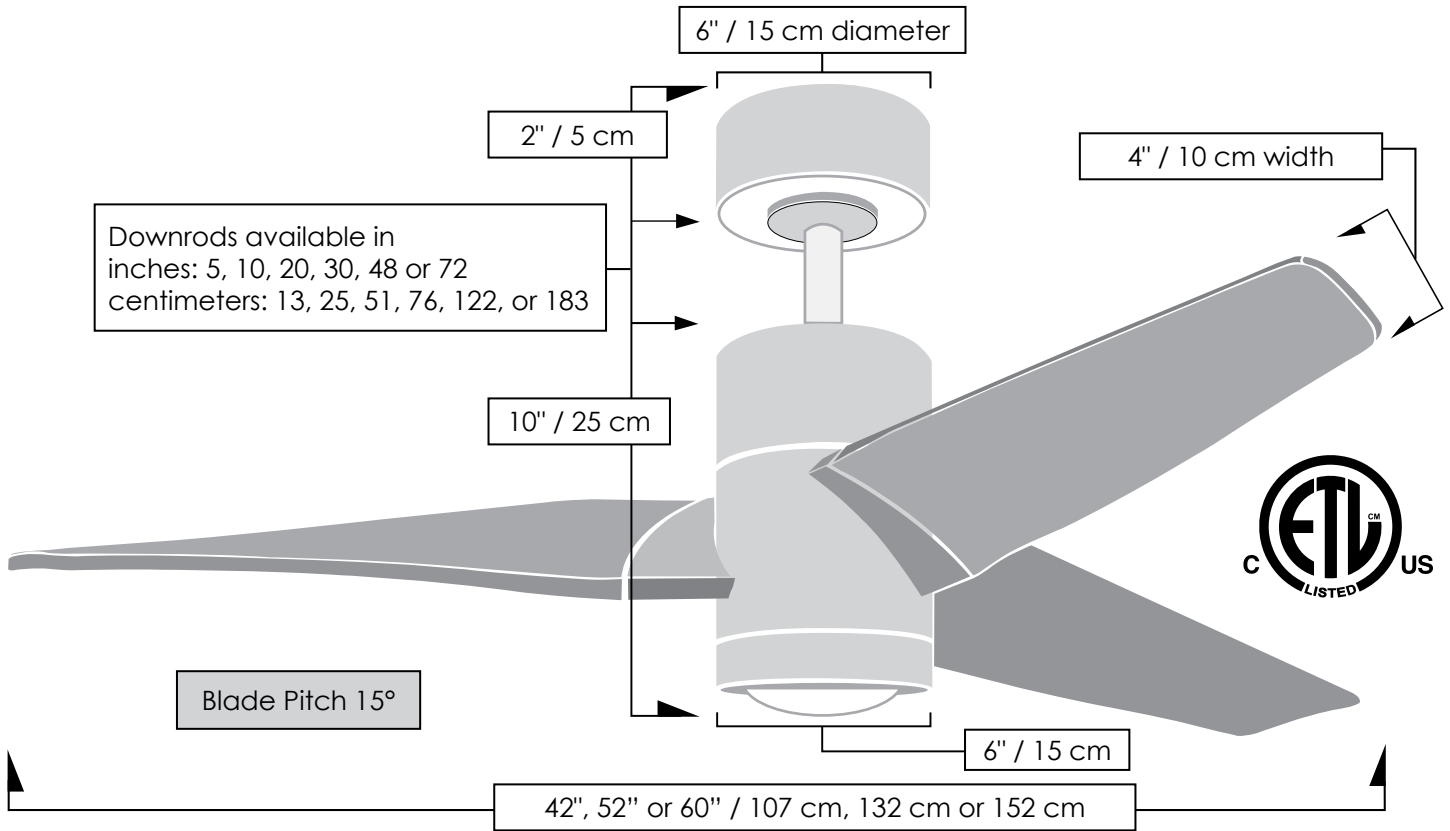
ACCESSORY 60° cathedral ceiling canopy

NOTE: Only compatible with included controllers.

*Unipack Shipping for 42" and 52" in diameters only.

Super Janet

TECHNICAL SPECIFICATIONS



CEILING PITCH TABLE	
0/12	0 degrees
1/12	4.76 degrees
2/12	9.46 degrees
3/12	14.04 degrees
4/12	18.43 degrees
5/12	22.62 degrees
6/12	26.57 degrees
7/12	30.26 degrees
8/12	33.69 degrees
9/12	36.87 degrees
10/12	39.81 degrees
11/12	42.51 degrees

CEILING HEIGHT / DOWNROD TABLE	
Ceiling Height	Downrod Lengths <i>Field cuttable. Non-threaded</i>
10 ft or less	5 inches / 13 cm <i>Use safety cages if applicable</i>
10 -12 feet	10 inches / 25 cm
13 feet	20 inches / 51 cm
14 feet	30 inches / 76 cm
15 feet	48 inches / 122 cm
16 feet +	72 inches / 183 cm

Matthews Fan Company

1881 Industrial Drive
Libertyville, IL 60048
Tele: 847.680.9043
Fax: 847.680.8140
www.matthewsfanco.com

© 2023 Matthews Fan Company. All rights reserved.

